

BUTTERFLY



PRODUCT INFO

DESIGNER: PATRICIA URQUIOLA

TYPOLOGY: SOFAS

COLLECTION: OUTDOOR

YEAR: 2015

DESCRIPTION

BUTTERFLY GETS ITS NAME FROM THE “BUTTERFLY” SHAPE CREATED BY THE OUTER CORNER THAT JOINS THE ARMREST AND THE BACKREST. IT IS A MODULAR SEATING SYSTEM THAT RESPONDS EFFECTIVELY TO THE NEEDS OF MODULARITY AND COMFORT, SUITABLE FOR FREE AND INFORMAL USAGE. ITS MODULAR STRUCTURE IS SHAPED AROUND AN OTTOMAN, WHICH IS THE BASE PIECE, AND WHICH, WHEN INTEGRATED WITH THE BACKREST AND/OR THE ARMREST, BECOMES A CENTRAL OR TERMINAL ELEMENT, EITHER LEFT OR RIGHT. THE COMBINATION OF THESE ELEMENTS, USING A SIMPLE JOINT SYSTEM, MAKES IT POSSIBLE TO FREELY SET UP VERSATILE CONFIGURATIONS, FROM IN-LINE SOFAS TO CORNER SOLUTIONS, FROM FRONT-FACING TO LOUNGE LAYOUTS. THIS FIRST TEXTILE SOFA IN B&B ITALIA OUTDOOR COLLECTION IS CHARACTERISED BY SOFT AND SINUOUS SHAPES. COMPLETELY UPHOLSTERED, IT LEVERAGES THE COMPANY’S PRODUCTION TECHNOLOGY, WITH MATERIALS AND SOLUTIONS DESIGNED FOR OUTDOOR USE, IN ORDER TO TAKE OUTDOORS THE QUALITY AND COMFORT THAT HAS ALWAYS CHARACTERIZED INDOOR SEATING. THE SYSTEM INCLUDES A FAMILY OF COMPLEMENTS, SMALL TABLES AND CONSOLES, SEAMLESSLY INTEGRATED WITH THE SEATS, MAKING IT POSSIBLE TO DESIGN MANY COMPOSITIONS SUITABLE FOR DIFFERENT SPACE CUSTOMIZATION REQUIREMENTS. THE STRONG MATERIAL COMPONENT OF BUTTERFLY’S COVER AND THE SOFTNESS OF ITS SHAPES ARE AN INVITATION TO COMFORT, WHICH, TOGETHER WITH THE MODULARITY OF THE SYSTEM, MAKE IT IDEAL FOR TRANSVERSAL PROJECTS, FROM HOTELS TO MARINE APPLICATIONS.

BUTTERFLY

TECHNICAL INFORMATION

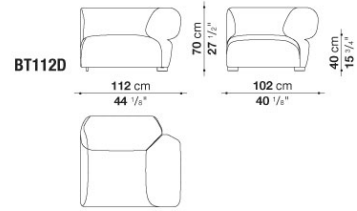
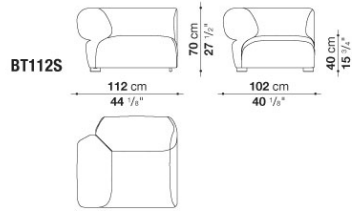
- **INTERNAL FRAME:**
TUBULAR STEEL AND STEEL PROFILES
- **INTERNAL FRAME UPHOLSTERY:**
BAYFIT® (BAYER®) FLEXIBLE COLD SHAPED POLYURETHANE FOAM, COVER IN WATER REPELLENT POLYESTER FIBRE
- **FEET AND FIXING ELEMENTS:**
THERMOPLASTIC MATERIAL
- **COVER:**
FABRIC (LIMITED CATEGORIES)

BUTTERFLY

TECHNICAL DRAWINGS

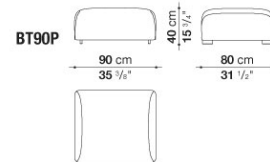
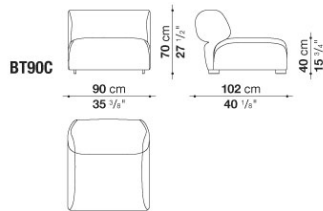
BT112S

BT112D



BT90C

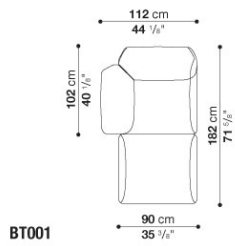
BT90P



BUTTERFLY

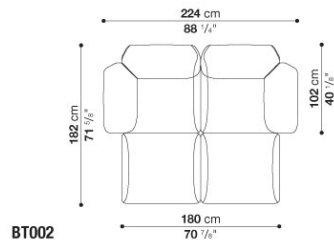
COMPOSITIONS

01



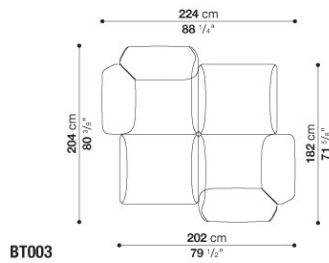
BT001

02



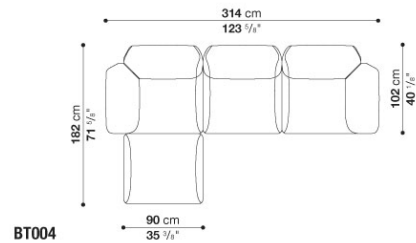
BT002

03



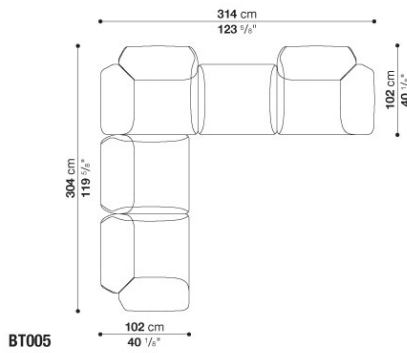
BT003

04



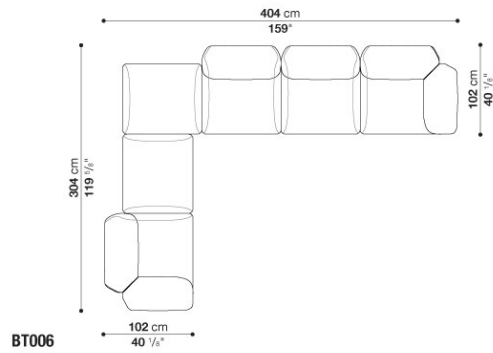
BT004

05



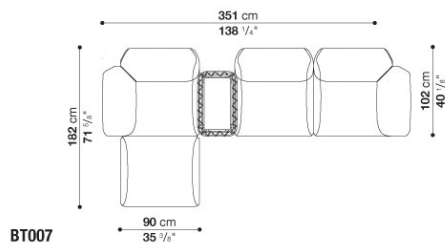
BT005

06



BT006

07



BT007